

COM 28

Anti-glare design
Modular design
SDCM<3 CRI>90
Suitable for general lighting

C28 . 12W **015** **B** **IP20** **927**

Model Power Beam angle Body color IP grade CCT

Model
COM

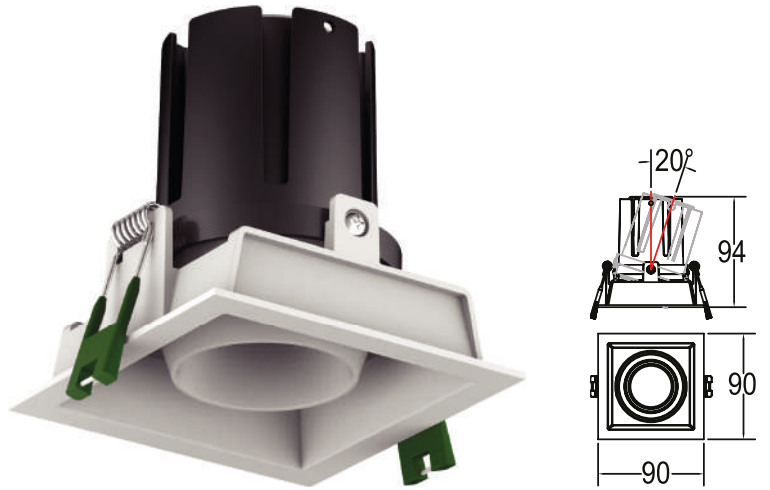
IP grade
IP20

Power
12W [W]

CCT
927 2700K
930 3000K
940 4000K
950 5000K

Beam angle
015 [°]
024 [°]
035 [°]
055 [°]

Body color
B Black
W White



Features

LED type	CREE
Color and CCT	2700K/3000K/4000K/5000K
Other colors	Upon request
Beam angle	15°/24°/35°/55°

Performance

Max. delivered output	1000lm
Efficacy	83lm/W

Electrical and control

Supply type	Main voltage (Integral LED driver)
Input voltage	AC240V
Max. power consumption	12W
Dimming	Upon request

Physical

Cut out	80x80mm
Housing material	Aluminium
Optics material	PMMA
Weight	-
Operating temperature	-25/+55°C

