

SHA 2742

Adjustable beam angle
Adjustable focus
Precision light shutters
Integrated driver
SDCM<3 CRI>90
Dimming options available

SHA .20W NN . 2742 B 927

Model Power Dimming Beam angle Body color CCT

Model
SHA

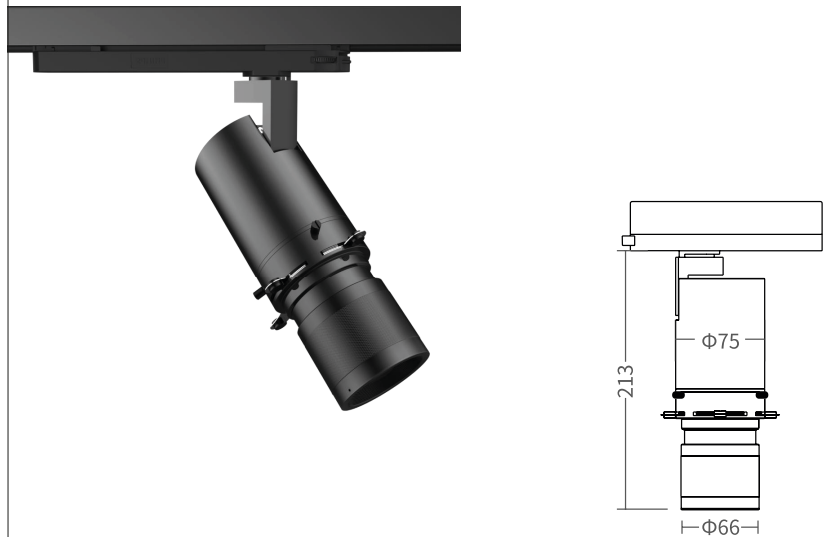
Beam angle
2742 27÷42 [°]

Power
20W [W]

Body color
B Black
W White

Dimming
NN none
DA Dali
0V 0-10V
1V 1-10V
PM Potentiometer
TR TRIAC
BT Bluetooth

CCT
 927 2700K
 930 3000K
 940 4000K



Features

LED type	Citizen
Standard CCT	2700K/3000K/4000K
Other CCT upon request	5000K/6000K
Beam angle	27÷42°

Performance

Max. delivered output	568 — 700lm
Efficacy	28 — 35lm/W

Electrical and control

Supply type	Main voltage
Input voltage	AC240V
Max. power consumption	20W
Dimming option	See table of codes

Physical

Housing material	Aluminium
Optics material	PMMA
Weight	1.8kg
Operating temperature	-25/+55°C

Accessories

Filter - light blue	ACC00541
Filter - dark blue	ACC00542
Filter - green	ACC00543
Filter - yellow	ACC00544
Filter - orange	ACC00545
Filter - orange red	ACC00546
Filter - red	ACC00547
Filter - pink	ACC00548
Filter - rose hermosa	ACC00549
Filter - purple	ACC00550
Filter - raw red	ACC00551

