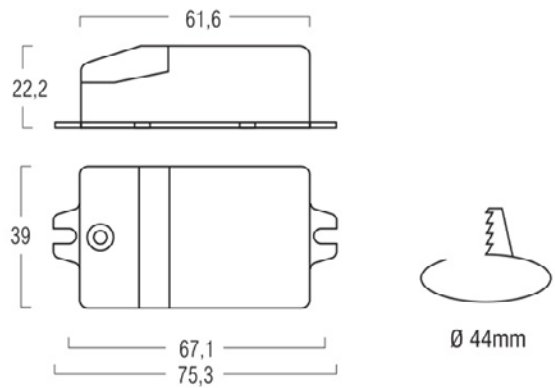


# ALV24-010IP20



## Technical specifications

Mains voltage AC	220-240V
Mains frequency	0/50/60Hz
Mains current	90mA
Inrush current	10A 100μsec
Power factor at max load	0,55C
Efficacy at full load	84%
Max output current	410mA
Output voltage	24V
Output power	10W
Ambient temperature Ta	-25 ÷ 45°C
Max case temperature on Tc	75°C
Weight	0,05Kg

## Characteristics and advantages

Independent driver
Constant voltage version for power LED
Typical ripple current <3%
Degree protection, IP20
IN Screwable terminals connection 2,5mmq
OUT terminals connection 1,5mmq
Class II protection
Surge protection 1KV differential mode
Short circuit, overload, open circuit and thermal protection
Nominal life-time up to 50000h at Tc max
Complying with EN61347-2-13, EN61347-1, EN62384, EN55015, EN61000-3-2, EN61547

